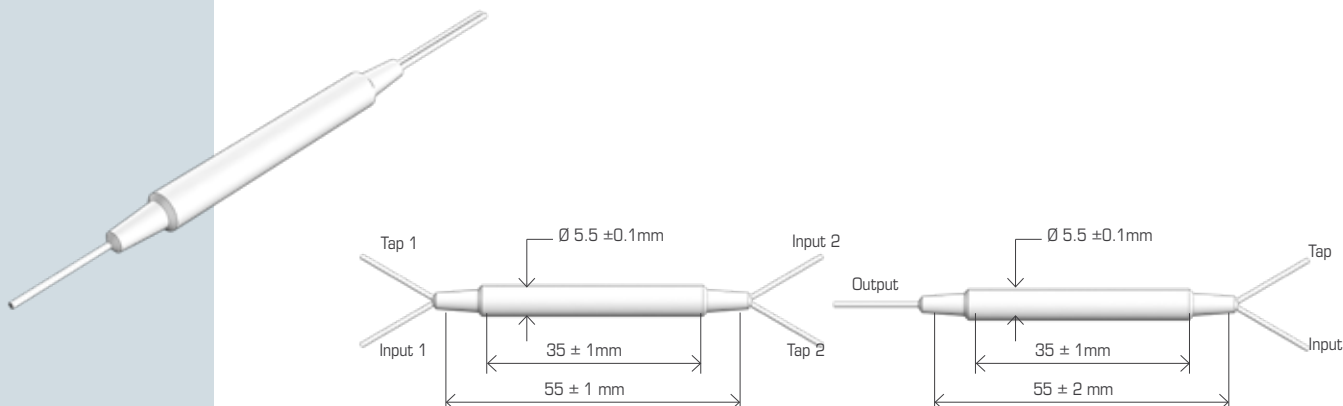




PM FILTER COUPLER



The Polarization Maintaining Filter Coupler is manufactured by using advanced technology to allow the input signal to be splitted at various ratios with high extinction ratio. It supports both polarizations.

	PARAMETERS	VALUE	UNIT	
SPECIFICATIONS	Operating Wavelength (λ_c)	1310 or 1550	nm	
	Operating Wavelength Range	$\lambda_c \pm 40$	nm	
	Configuration	1x2	2x2	dB
	Max. Excess Loss	0.7	1.0	dB
	Max. Uniformity	0.6	0.8	dB
	Tap Ratio	1 ± 0.5%, 5 ± 1.0%, 10% and 50%		%
	Min. Return Loss	50		dB
	Min. Extinction Ratio	20	18	dB
	Max. Optical Power (Continuous Wave)	300		mW
	Max. Tensile Load	5		N
	Operating Temperature	-5 to +70		°C
	Storage Temperature	-40 to +85		°C
	Fiber Type	SMF-28 or PM Panda fiber for tap port PM Panda fiber for input & output ports		

*Note: IL is 0.3 dB higher, RL is 5 dB lower, and ER is 2 dB lower for each connector added. Connector key is aligned to slow axis.

CODE	WAVELENGTH		CONFIGURATION		COUPLING RATIO		CONNECTOR TYPE		FIBER TYPE FOR TAP PORT		FIBER JACKET		FIBER LENGTH	
	31	1550	1	2	01	05	0	A	M	PF	25	9L	05	10
F4M-PMFC	1310 nm	1550 nm	1	2	1/99	5/95	None	SC/UPC	SMF-28 (1x2 Only)	Panda Fiber	250µm Fiber	900µm Loose Tube	0.5 m	1 m
					10/90	50/50	B	C	S	Specify	S	Specify	S	Specify
					Specify	Specify	D	E						
							FC/APC	LC/UPC						
							FC/APC	LC/APC						
							Specify	Specify						

ORDER CODE EXAMPLE

F4M-PMFC - 31 - 1 - 50 - 00 - PF - 25 - S

