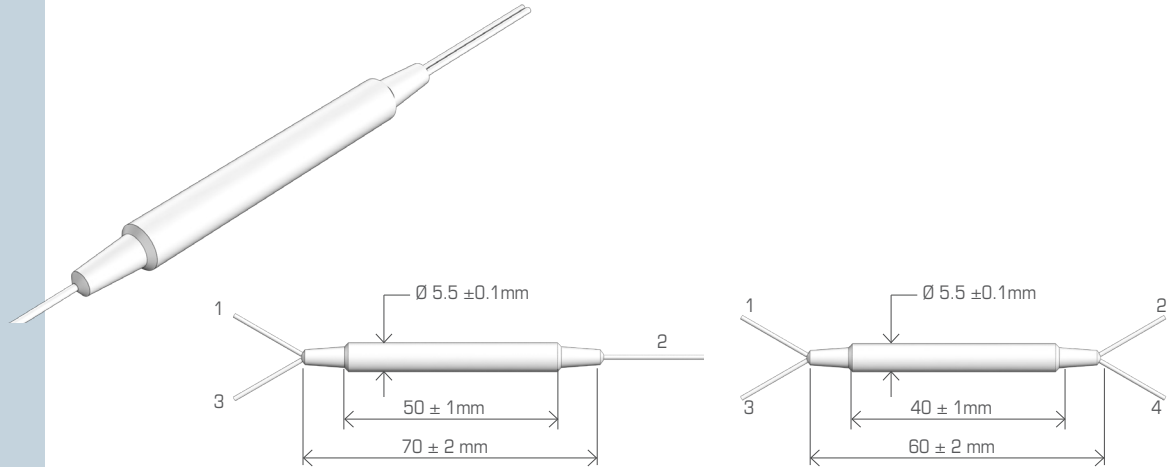


POLARIZATION INSENSITIVE MINI OPTICAL CIRCULATOR



The Optical Circulator is a compact, high performance lightwave component that routes incoming signals from Port 1 to Port 2, and incoming Port 2 signals to Port 3 and so on in only one direction. The component provides high Isolation, low insertion loss, low PDL, low PMD and excellent environmental stability.

PARAMETERS	VALUE		UNIT
	3 PORT	4 PORT	
Center Wavelength (λ_c)	1310, 1550 or 1064		nm
Operating Wavelength Range	$\lambda_c \pm 20$		nm
Typ. Insertion Loss	0.7		dB
Max Insertion Loss	0.8	0.9	dB
Min. Isolation (@ 23 °C)	38	45	dB
Min. Crosstalk	50		dB
Min. Return Loss	55	50	dB
Max. Polarization Dependent Loss, 23°C	0.1	0.2	dB
Max. Polarization Mode Dispersion	0.1		ps
Max. Tensile Load	5		N
Fiber Type	SMF-28e		
Max. Optical Power (Continuous Wave)	300		mW
Operating Temperature Range	-5 to +70		°C
Storage Temperature Range	-40 to +85		°C

*Note: IL is 0.3 dB higher and RL is 5 dB lower for each connector added.

CODE	N° OF PORTS	WAVELENGTH	FIBER TYPE	CONNECTOR TYPE	FIBER LENGTH	
F4M-CIRI	13	3 ports	31 1310nm	25 250 μ m Bare Fiber	0 None	05 0.5 m
	14	4 ports	55 1550nm	9L 900 μ m Loose Tube	A SC/UPC	10 1m
	S	Specify	64 1064nm	S Specify	B SC/APC	S Specify
					C FC/UPC	
					D FC/APC	
					E LC/UPC	
				Q LC/APC		
				S Specify		

ORDER CODE EXAMPLE

F4M-CIRI-13 - 55 - 25 - BB - S

