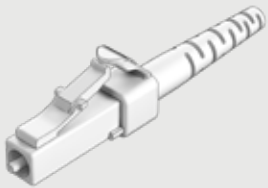


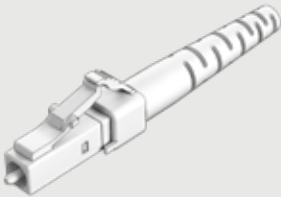
## LC CONNECTORS

### LC-UPC/APC UNIBODY CONNECTOR



CODE		TYPE		FERRULE I.D.		HOUSING		BOOT		BOOT COLOR	
CN-LCUE	Elite Unibody UPC	SX	Simplex	125	SM 125µm	1	Blue	1	900µm	1	Blue
CN-LCUAE	Elite Unibody APC	DX	Duplex	125L	SM 125µm Low Loss	3	Green	2	2.0mm	2	Black
CN-LCU	Unibody UPC			1255	SM 125.5µm	4	Beige	6	3.0mm	4	Beige
CN-LCUA	Unibody APC			126	SM 126µm					8	White
				127	MM 127µm						

### LC CONNECTOR STANDARD MULTIPIECE



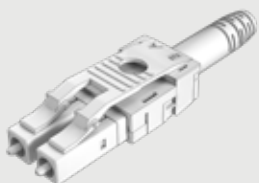
CODE		TYPE		FERRULE I.D.		HOUSING		BOOT		BOOT COLOR	
CN-LCPA	Preassembled	SX	Simplex	125	125µm	1	Blue	1	900µm	1	Blue
CN-LCUK	Unassembled	DX	Duplex	125L	125µm Low Loss	2	Black	2	2.0mm Standard	2	Black
CN-LCAPA	APC Preassembled			1255	125.5µm	3	Green	2B	2mm Bendable Boot	3	Green
CN-LCAUK	APC Unassembled			126	126µm	4	Beige	4	2.0mm short 19mm	4	Beige
				127	127µm	5	Aqua	6	3.0mm Standard	5	Aqua
				000	No Ferrule Opt.					8	White

### LC-M CONNECTOR



CODE		TYPE		FERRULE I.D.		HOUSING		BOOT		BOOT COLOR	
CN-LCMPAE	Elite LC-M	SX	Simplex	125	SM 125µm	1	Blue	1	900µm	1	Blue
CN-LCMPAAE	Elite LC-M APC	DX	Duplex	125L	SM 125µm Low Loss	3	Green	12	1.2mm	2	Black
CN-LCMPA	Pre-Assembled			1255	SM 125.5µm	4	Beige	2	2.0mm	3	Green
CN-LCMUK	Unassembled			126	SM 126µm			6	3.0mm	4	Beige
CN-LCMPAA	Pre-Assembled APC			127	MM 127µm					8	White
CN-LCMUKA	Unassembled APC			000	No Ferrule Opt.						

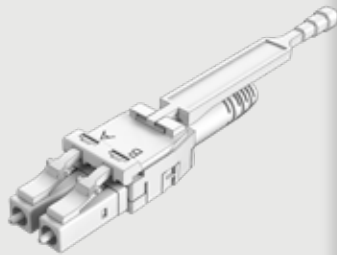
### LC UNIBOOT ROLL OVER PRE-ASSEMBLED CONNECTOR



CODE		FERRULE I.D.		HOUSING		BOOT		COLOR	
SLCUT-2PHPR	LC Uniboot Roll Over Connector	1255SM	SM 125.5µm	BL	Blue	20	2.0mm	8	White
		127MM	MM 127µm	GR	Green	30	3.0mm		
				AQ	Aqua	50	5.0mm		
				HV	Heather Violet				
				LG	Lime Green				

## LC CONNECTORS

### LC PUSH-PULL UNIBOOT CONNECTOR



CODE		FERRULE I.D.		HOUSING		BOOT		BOOT COLOR		TAB		
SLCUPL-2PHPR	LC Push-Pull Uniboot	1255	SM 125.5µm	BL	Blue	20	2.0mm	-	White	-	No tab	
		127	MM 127µm	GR	Green	30	3.0mm			T5	50mm	
				AQ	Aqua							
				HV	Heather Violet							
				LG	Lime Green							

### LC PM CONNECTOR

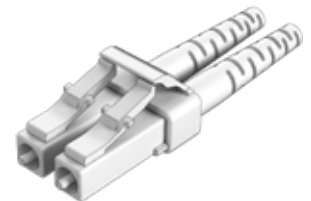


CODE		FERRULE I.D.		HOUSING		BOOT		BOOT COLOR	
SLC-PHPR	Pre-Assembled	1255SM	SM 125.5µm	BL	Blue	09P1	900µm	GR	Green
		1255AP	APC 125.5µm	GR	Green	20P1	2.0mm	-	White
						30P1	3.0mm		

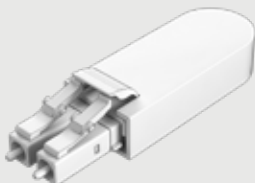
### SPECIALTY CLIPS HIGH DENSITY LC SOLUTION



CODE		COLOR	
CN-LCMINIDXCLP	LC Mini Duplex Clip	T	Transparent
CN-LCDXCPLP-T	LC Simplex to Duplex Converter Clip	S	Specify



### LC LOOPBACK MODULES



CODE	TYPE	CONNECTOR TYPE		FIBER	COLOR
LB-LCK	SM	Singlemode	AA	LC/UPC	9 900µm Fiber 2 Black MM
	MM	Multimode	BB	LC/APC	

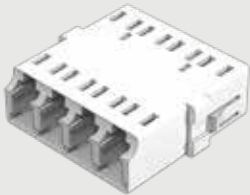
# LC ADAPTERS

## LC ADAPTER STANDARD



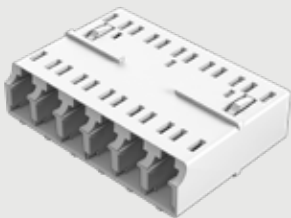
CODE	TYPE		COLOR		SLEEVE TYPE	
AD-LC	SX	Simplex	1	Blue	1	Zirconia Ceramic
		Duplex	2	Black	2	Phosphor Bronze
			3	Green	3	Elite Zirc. Ceramic (Ultra Low Loss)
			4	Beige		
			5	Aqua		

## LC ADAPTER SC FOOTPRINT SNR/JUN



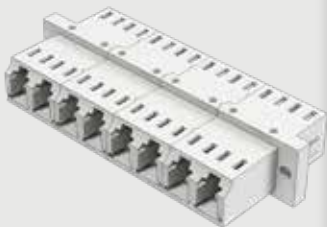
CODE	TYPE		COLOR		SLEEVE TYPE		FLANGE	
AD-LC	DXSJ	Duplex	1	Blue	1	Zirconia Ceramic	FL	With Flange
		Quad	2	Black	2	Phosphor Bronze	NF	No Flange
			3	Green	3	Elite Zirc. Ceramic (Ultra Low Loss)		
			4	Beige				
			5	Aqua				
			CL	F4M Transparent				

## LC ADAPTER MULTI-PORT



CODE	TYPE		COLOR		SLEEVE TYPE	
SLC	6ASP	6 Ports	BL	Blue	ZR	Zirconia Ceramic
			BK	Black		
			GR	Green		
			BE	Beige		
			AQ	Aqua		

## LC STACKABLE SERIES



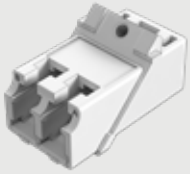
CODE	TYPE		COLOR		#PORTS		#ROWS	
AD-STKLC	AN	Angled	1	Blue	N6	6 Ports	M1	1 Row
		Straight	3	Green	N8	8 Ports	M2	2 Row
			4	Beige	N12	12 Ports	M3	3 Row
			5	Aqua	N..	~ Ports	S	Specify
			HV	Heather Violet	N24	24 Ports		
					S	Specify		





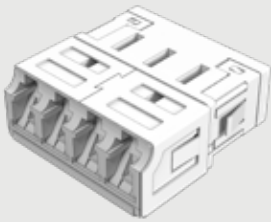
## LC ADAPTERS

### LC 45 DEGREE EMI SHIELDING ADAPTER



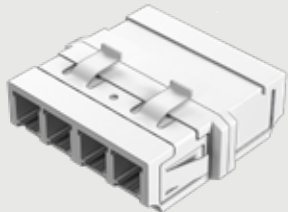
CODE	TYPE		HOUSING		SLEEVE TYPE		INTERNAL SHUTTER	
SLC	2A	Duplex	45M	Metal	ZR	Zirconia Ceramic	SH	With Shutter
							B	No Shutter

### ALL-IN-ONE LC ADAPTER



CODE	TYPE		HOUSING		SLEEVE TYPE		INTERNAL SHUTTER	
SLC	2ASP	Duplex	BL	Blue	ZR	Zirconia Ceramic	SSH2	With Shutter
	4ASP	Quad	GR	Green				
			AQ	Aqua				
			HV	Heather Violet				
			LG	Lime Green				

### LC SNUG FIT



CODE	TYPE		COLOR		SLEEVE TYPE	
AD-LCSF	DX	Duplex	1	Blue	1	Zirconia Ceramic
	QD	Quad	2	Black	2	Phosphor Bronze
			3	Green	3	Elite Zirc. Ceramic (Ultra Low Loss)
			4	Beige		
			5	Aqua		

SANWA Technologies, Inc.

[www.sanwa-tech.com](http://www.sanwa-tech.com)

[sales@snwtech.com](mailto:sales@snwtech.com)

**Americas Sales-CA**  
9685 Via Excelencia; Suite 106,  
San Diego, CA 92126  
Tel: +1-(858)-397-2585  
Fax: +1-(858)-397-2584

**Americas Sales-TX**  
4012 Preston Rd.  
Plano, TX 75093  
Tel: +1 (972)-503-3031  
Fax: +1 (972)-503-3032

**Americas Sales-MA**  
287 Turnpike Road  
Westborough, MA 01581  
Tel: +1 (508)-616-9500  
Fax: +1 (508)-616-9600

**Europe Sales**  
Aleja Armii Krajowej 61, Bud. C,  
50-541 Wrocław, PL  
Tel: +48 71 7277237  
Fax: +48 71 7939911

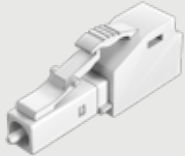
**MEA Sales**  
DP A6, 108, Silicon Oasis Free  
Zone Dubai,  
United Arab Emirates  
Tel: +971 4 3344970  
Fax: +971 4 3344971

**Asia Sales**  
13F, Changxing Rd., Luzhou Dist.,  
New Taipei City 247, Taiwan  
(R.O.C.)  
Tel: +886 939512000  
Fax: +886 2 8285450



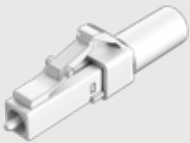
## LC ATTENUATORS & TERMINATORS

### ATTENUATORS



CODE		TYPE	CONNECTOR TYPE		ATTENUATION LEVEL		
AT	Doped Fiber Attenuators	1	Standard	LC	LC UPC	01	1dB
		2	Special	LCA	LC APC	03	3dB
		S	Specify			04	4dB
						05	5dB
						07	7dB
						08	8dB
						09	9dB
						10	10dB
						12	12dB
						15	15dB
				20	20dB		
				25	25dB		
				30	30dB		

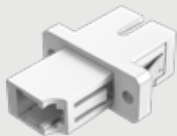
### TERMINATORS



PRODUCT	CONNECTOR TYPE	
TM	LC	LC UPC
	LCA	LC APC

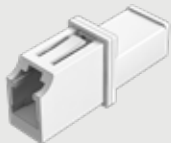
## HYBRID ADAPTER

### SC-LC HYBRID ADAPTER



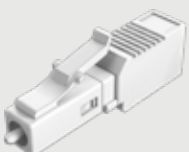
CODE	SLEEVE	
ADH-LCSC	1	Zirconia

### LC-MU HYBRID ADAPTER



CODE	SLEEVE	
ADH-LCMU	1	Zirconia
	2	Phosphor Bronze

### LC-MU CONVERSION PLUG



CODE	COLOR	OPTICAL FIBER AND WAVELENGTH
SCV-LCMU-SM-C	BL Blue	SM10/125 1.31µm • 1.55µm
SCV-LCMU-50/125-C	BE Beige	GI50/125 1.31µm
SCV-LCMU-62.5/125-C	BE Beige	GI62.5/125 1.31µm



## ZIRCONIA FERRULES

### ZIRCONIA FERRULES LC-MU SINGLEMODE



FERRULE		INNER DIAMETER		FLANGE	
F-MU-S	MU Connectors Singlemode	125	125µm	NF	No Flange
F-LC-S	LC Connectors Singlemode	1255	125.5µm	FL	MU Flange
		126	126 µm		

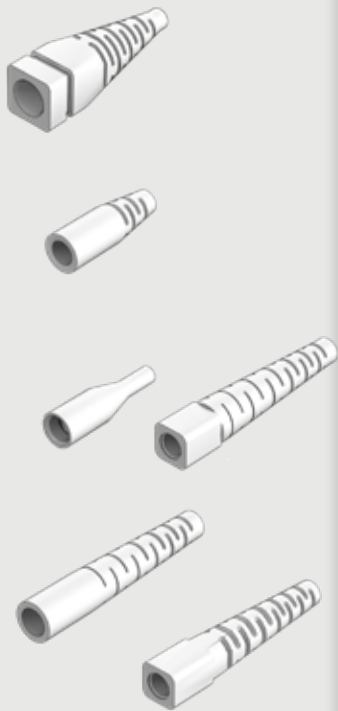
### ZIRCONIA FERRULES LC-MU MULTIMODE

FERRULE		INNER DIAMETER		FLANGE	
F-MU-M	MU Connectors Multimode	127	127µm	NF	No Flange
F-LC-M	LC Connectors Multimode			FL	MU Flange

### ZIRCONIA ADAPTERS SLEEVES



CODE		INNER DIAMETER		LENGTH	
S-ZR	Zirconia Sleeve	125	1.25mm	LC	6.8mm



LC CRIMP OPTIONS				
HEATSHRINK	C	L	CRIMP SIZE	CRIMP & EYELET
F4M-CRLC2-19-7B		19mm	2.0mm	-
F4M-CRLC2-19-8B		19mm		
F4M-CRLC2-32-7B		32mm	2.0mm	-
F4M-CRLC2-32-8B		32mm		
F4M-CRLC2-7B		42mm	2.0mm	-
F4M-CRLC2-8B		42mm		
F4M-CRLC3-7B		42mm	3.0mm	F4M-CR3LC
F4M-CRLC3-8B		42mm		

SMALL FORM FACTOR BOOTS		BOOT COLOR
BOOT CODE	DESCRIPTION	
LC BOOTS		
F4M-BTLC9B	900µm LC Boot	1 Blue
F4M-BTLCDX9	900um LC Boot for DX Connector	2 Black
F4M-BTLC12B	1.2mm LC Boot	3 Green
F4M-BTLC2B	2.0mm Standard LC Boot	4 Beige
F4M-BTLC19L2R	2.0mm Round short 19mm LC Boot	5 Aqua
F4M-BTLC3B	3.0mm Standard LC Boot	6 Red
F4M-BTLC2BFL	2.0mm Bendable LC Boot	7 Yellow
F4M-BTLC3BFL	3.0mm Bendable LC Boot	8 White
F4M-BTLC245D	45° Angled LC Boot	0 Gray
F4M-BTLC290D	90° Angled LC Boot	

LC-M BOOTS (SPECIFIC)	
F4M-BTLCM9B	900um LC-M Boot
F4M-BTLCM2B	2.0mm LC-M Boot
F4M-BTLCM3B	3.0mm LC-M Boot

SANWA Technologies, Inc.

www.sanwa-tech.com

sales@snwtech.com

**Americas Sales-CA**  
9685 Via Excelencia; Suite 106,  
San Diego, CA 92126  
Tel: +1-(858)-397-2585  
Fax: +1-(858)-397-2584

**Americas Sales-TX**  
4012 Preston Rd.  
Plano, TX 75093  
Tel: +1 (972)-503-3031  
Fax: +1 (972)-503-3032

**Americas Sales-MA**  
287 Turnpike Road  
Westborough, MA 01581  
Tel: +1 (508)-616-9500  
Fax: +1 (508)-616-9600


**Europe Sales**  
Aleja Armii Krajowej 61, Bud. C,  
50-541 Wrocław, PL  
Tel: +48 71 7277237  
Fax: +48 71 7939911

**MEA Sales**  
DP A6, 108, Silicon Oasis Free  
Zone Dubai,  
United Arab Emirates  
Tel: +971 4 3344970  
Fax: +971 4 3344971

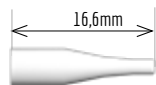
**Asia Sales**  
13F, Changxing Rd., Luzhou Dist.,  
New Taipei City 247, Taiwan  
(R.O.C.)  
Tel: +886 939512000  
Fax: +886 2 8285450

## LC BOOTS


**MULTIPIECE**



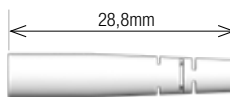
**F4M-BTLCDX9**  
LC Multi-piece - Boot 900um



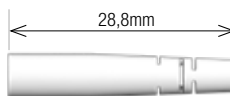
**F4M-BTLC12B**  
LC Unibody connector - 1.2mm LC Boot



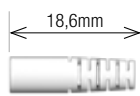
**F4M-BTLC2B**  
STD LC connectors /LC Unibody connector  
2.0mm Boots



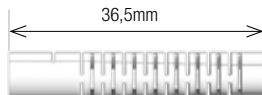
**F4M-BTLC3B**  
STD LC connectors /LC Unibody connector  
3.0mm Boots



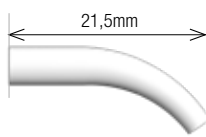
**F4M-BTLC19L2R**  
STD LC connectors /LC Unibody connector  
19mm short boot for 2.0mm



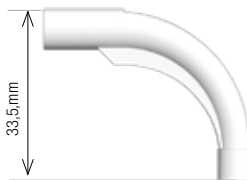
**F4M-BTLCxBFL**  
STD LC connectors /LC Unibody connector  
Flexible bendable boot - 2.0mm/3.0mm




**F4M-BTLCx45D**  
STD LC connectors /LC Unibody connector  
45° Angled LC boot for 2.0mm/ 3.0mm



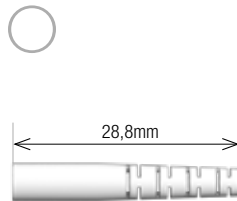
**F4M-BTLC290D**  
STD LC connectors /LC Unibody connector  
90° Angled LC boot for 2.0mm/3.0mm



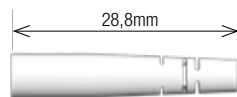
**UNIBODY**



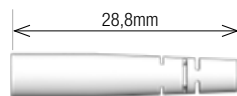
**F4M-BTLCDX9**  
LC Multi-piece - Boot 900um



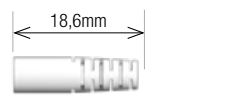
**F4M-BTLC12B**  
LC Unibody connector - 1.2mm LC Boot



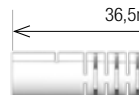
**F4M-BTLC2B**  
STD LC connectors /LC Unibody connector  
2.0mm Boots



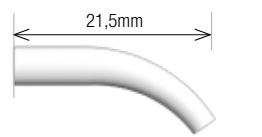
**F4M-BTLC3B**  
STD LC connectors /LC Unibody connector  
3.0mm Boots




**F4M-BTLC19L2R**  
STD LC connectors /LC Unibody connector  
19mm short boot for 2.0mm



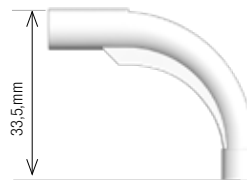
**F4M-BTLCxBFL**  
STD LC connectors /LC Unibody connector  
Flexible bendable boot - 2.0mm/3.0mm











**F4M-BTLCx45D**  
STD LC connectors /LC Unibody connector  
45° Angled LC boot for 2.0mm/ 3.0mm



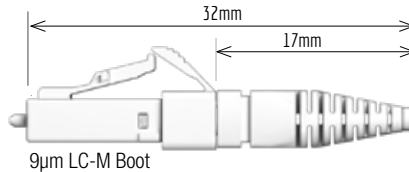
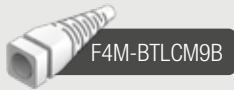
**F4M-BTLC290D**  
STD LC connectors /LC Unibody connector  
90° Angled LC boot for 2.0mm/3.0mm



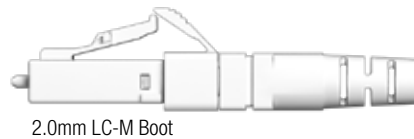
-  **F4M-BTLCDX9**  
LC Multi-piece - Boot 900um
-  **F4M-BTLC12B**  
LC Unibody connector - 1.2mm LC Boot
-  **F4M-BTLC2B**  
STD LC connectors /LC Unibody connector  
2.0mm Boots
-  **F4M-BTLC3B**  
STD LC connectors /LC Unibody connector  
3.0mm Boots
-  **F4M-BTLC19L2R**  
STD LC connectors /LC Unibody connector  
19mm short boot for 2.0mm
-  **F4M-BTLCxBFL**  
STD LC connectors /LC Unibody connector  
Flexible bendable boot - 2.0mm/3.0mm
-  **F4M-BTLCx45D**  
STD LC connectors /LC Unibody connector  
45° Angled LC boot for 2.0mm/ 3.0mm
-  **F4M-BTLC290D**  
STD LC connectors /LC Unibody connector  
90° Angled LC boot for 2.0mm/3.0mm



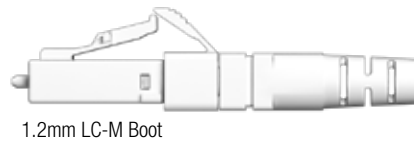
## LC-M BOOTS



BOOT COLOR F4M-BTLCM9B	
1	Blue
2	Black
3	Green
5	Aqua
8	White
11	Magenta



BOOT COLOR F4M-BTLCM-2S	
1	Blue
7	Yellow
8	White



BOOT COLOR F4M-BTLCM12B	
1	Blue
3	Green
8	White

LC-M BOOTS (SPECIFIC)	
F4M-BTLCM9B	900µm LC-M Boot
F4M-BTLCM2B	2.0mm LC-M Boot
F4M-BTLCM12B	1.2mm LC-M Boot

SMALL FORM FACTOR BOOTS	
BOOT CODE	DESCRIPTION

LC BOOTS	
F4M-BTLC9B	900µm LC Boot
F4M-BTLCDX9	900µm LC Boot for DX Connector
F4M-BTLC12B	1.2mm LC Boot
F4M-BTLC2B	2.0mm Standard LC Boot
F4M-BTLC19L2R	2.0mm Round short 19mm LC Boot
F4M-BTLC3B	3.0mm Standard LC Boot
F4M-BTLC2BFL	2.0mm Bendable LC Boot
F4M-BTLC3BFL	3.0mm Bendable LC Boot
F4M-BTLC245D	45° Angled LC Boot
F4M-BTLC290D	90° Angled LC Boot

1.6mm Option: SANWA TECH Offers a 1.6mm Crimp Ring that is compatible with all 2.0mm boots listed above.