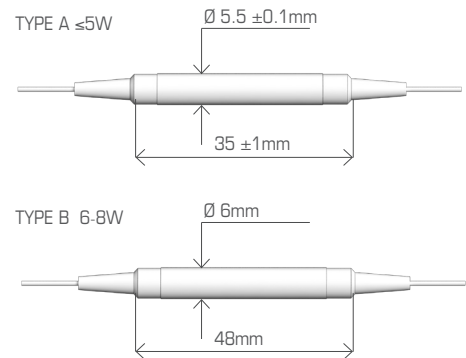
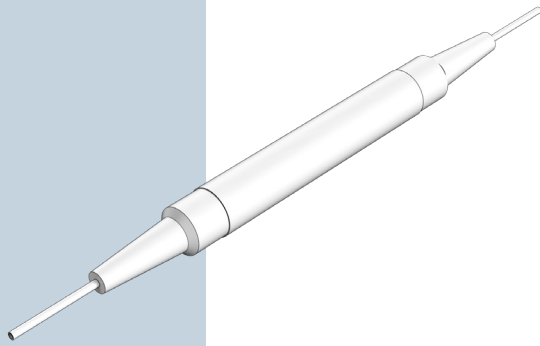


POLARIZATION INSENSITIVE HIGH POWER ISOLATOR

ISO SERIES



The Polarization Insensitive Isolator is designed and manufactured according to Telcordia standard. The unique manufacturing process and optical path epoxy-free design enhance the device high power handling capability. The device is characterized with high perfor-

mance, high reliability and low cost. It has been widely used in EDFAs, fiber lasers, transmitters and other fiber optics communication equipments to suppress back reflection and back scattering.

PARAMETERS	SINGLE STAGE		DUAL STAGE		UNIT
	GRADE P	GRADE A	GRADE P	GRADE A	
Center Wavelength ( $\lambda_c$ )	1310, 1480 or 1550				nm
Typ. Peak Isolation	42	40	58	55	dB
Min. Isolation, $l_c \pm 10$ nm, 23°C, all polarization states	30	29	46	45	dB
Typ. Insertion Loss, $l_c \pm 10$ nm, 23°C, all polarization states	0.35	0.5	0.4	0.6	dB
Max. Insertion Loss, $l_c \pm 20$ nm, all temperature, all polarization	0.5	0.7	0.6	0.9	dB
Min. Return Loss (Input/Output)	60/55	60/55	60/55	60/55	dB
Max. Polarization Dependent Loss, 23°C	0.10	0.15	0.10	0.15	dB
Max. Polarization Mode Dispersion	0.20	0.25	0.05	0.07	ps
Max. Optical Power (Continuous Wave)	10				W
Max. Tensile Load	5				
Fiber Type	SMF-28e				-
Operating Temperature	-5 to +70				°C
Storage Temperature	-40 to +85				°C

SPECIFICATIONS

\*Note: IL is 0.3 dB higher, RL is 5 dB lower for each connector added. Optical Power will be 1W only with connector added.

CODE	STAGE	HANDLING POWER	GRADE	WAVELENGTH	FIBER JACKET	POWER TYPE	FIBER LENGTH
F4M-HPISO	1	Single Stage	05 5 W	P Premium	31 1310 nm	25 250µm Bare Fiber	P Pulse Application 05 0.5 m
	2	Dual Stage	10 10W	A A grade	48 1480 nm	9L 900µm Loose Tube	C Continuous Wave 10 1m
			S Specify		55 1550 nm	S Specify	S Specify
					S Specify		

ORDER CODE EXAMPLE **F4M-HPISO - 1 - S - P - S - S - P - S**

