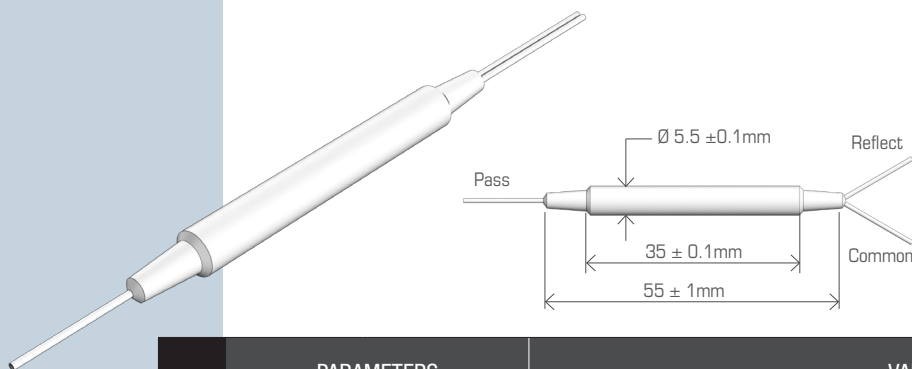




**FWDM** 980/1060 - 980/1550 - 1310/1550, 1480/1550, 1510/1550 WDM



The Filter Wavelength Division Multiplexer series is based on environmentally stable thin film filter technology. The devices combine or separate light at different wavelength in a wide wavelength range. They offer very low insertion loss, low polarization dependence, high Isolation and excellent environmental stability. High power handling capability can be achieved through unique pigtail processing and high quality AR coating. These components have been extensively used in EDFAs, Raman amplifiers, WDM networks and fiber optical instruments.

PARAMETERS		VALUE					UNIT	
SPECIFICATIONS	Pass Band	Wavelength Range	970-990 (1020-1100)	950-1010(1500-1600)	1270-1350	1450-1490	1500- 1520	nm
		Typ. Insertion Loss	0.6	0.5	0.4	0.4	0.5	nm
		Max. Insertion Loss	0.8	0.7	0.6	0.6	0.7	dB
		Typ. Isolation	30	35	35	30	35	dB
		Min. Isolation	25	30	30	25	30	dB
	Reflection Band	Wavelength Range	1020-1000 (970-990)	1500-1600 (950 -1010)	1530-1600 (1270-1350)	11530-1580 (1450-1490)	1530-1570 (1500 - 1520)	nm
		Typ. Insertion Loss	0.3					dB
		Max. Insertion Loss	0.5					dB
		Typ. Isolation	15					dB
		Min. Isolation	12					dB
		Min. Return Loss	50					dB
		Max. Polarization Dependent Loss	0.1					dB
		Typ. Polarization Dependent Loss	0.05					dB
		Thermal Stability	0.005					dB/°C
	Max. Optical Power	300					mW	
	Max. Tensile Load	5					N	
	Operating Temperature Range	-40 ~ +70					°C	
	Storage Temperature Range	-40 to +85					°C	

\*Note: IL is 0.3 dB higher and RL is 5 dB lower for each connector added

CODE	WAVELENGTH	CONNECTOR TYPE	FIBER JACKET	FIBER LENGTH	
F4M - FWDM	9806	980 Pass/1060 Reflect	O None	25 250µm Bare Fiber	10 1m (Std.)
	0698	1060 Pass/980 Reflect	A SC/UPC	9L 900µm Loose Tube	S Specify
	9855	980 Pass/1550 Reflect	B SC/APC	S Specify	
	5598	1550 Pass /980 Reflect	C FC/UPC		
	3155	1310 Pass/1550 Reflect	D FC/APC		
	5531	1310 Reflect/1550 Pass	E LC/UPC		
	4855	1480 Pass/1550 Reflect	Q LC/APC		
	5548	1480 Reflect/1550 Pass	S Specify		
	5155	1510 Pass/1550 Reflect			
	5551	1510 Reflect/1550 Pass			
	S	Specify			

ORDER CODE EXAMPLE

F4M-FWDM - S - 00 - 25 - S

